

Identify your Friction Stay

Types of Friction Stay

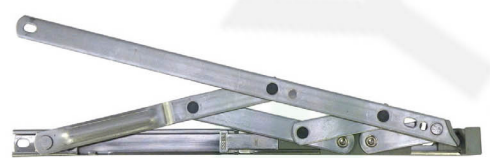
STANDARD

Standard friction stay hinges for use on casement windows. Available in both top and side hung. Hinges are sold in pairs.



RESTRICTED

Friction stays that restrict the degree to which the windows can be opened to 100mm for safety. Top hinges are sold as pairs whereas side hinges are handed and sold as singles.



EGRESS/EASY CLEAN

Egress windows provide emergency exits in case of fire. These can open to a minimum unobstructed area of 0.33m square and at least 450mm high by 450mm wide. To be designated a fire escape window the window must comply with Building Regulations Approved Document B. The easy clean function allows cleaning of the windows from the inside of the building in compliance with BS 8213-1:2004. The arm will slide along the stay to allow access to the outside of the window.



Egress position



Easy Clean position

How to Measure your Friction Stay

1. LENGTH

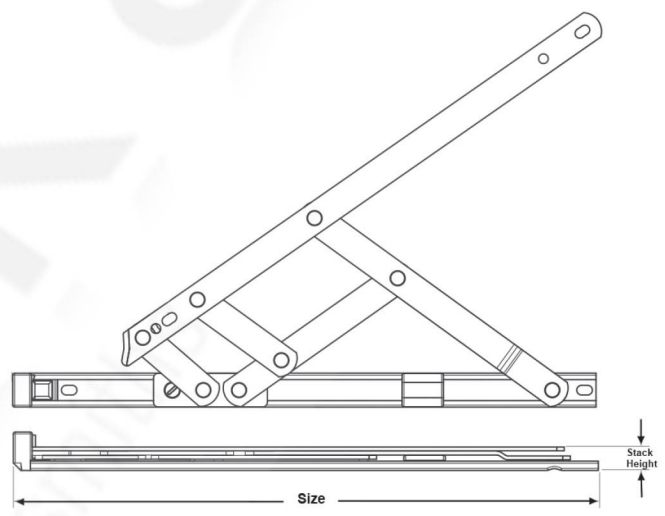
Measure the overall length in inches (either 8", 10", 12", 16", 20" or 24")

2. STACK HEIGHT

Measure the depth of the hinge (either 13mm or 17mm)

3. OPERATION

Select top or side hung



Top Hung Window



Side Hung Window