

TrioVing Padlock 5652 Chrome

TrioVing Shop · TrioVing · 3 variants

PRICING

From £102.49 ex VAT

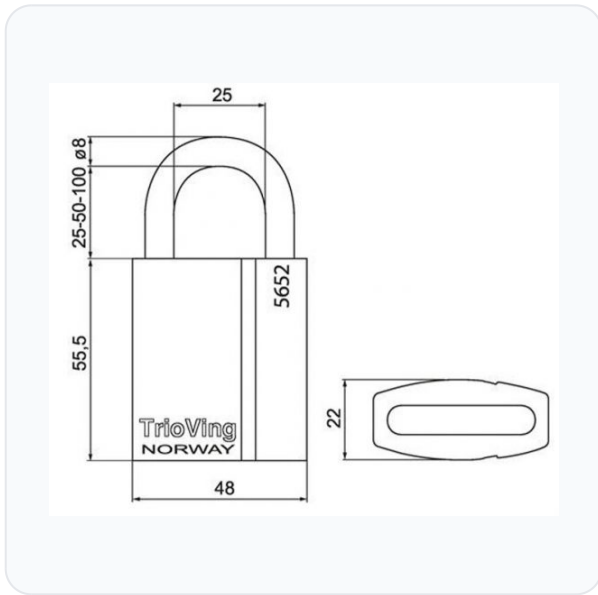
£122.99 inc VAT

3 variants available

VAT 20.00%

Range: £102.49 - £119.66 ex VAT

Product Imagery



Specification Summary

Brand TrioVing

Product type TrioVing Shop

Product Description

The TrioVing 5652 Polished Chrome Padlock is a high-quality, durable security solution designed to withstand demanding environments. Featuring a robust polished chrome-plated brass body and a corrosion-resistant stainless steel shackle, this padlock offers excellent resistance to both physical attack and harsh weather conditions.

To suit a wide range of security applications, this padlock is available with multiple shackle length options, including 25mm, 50mm, and 100mm. Please select your required shackle length from the options below.

Each padlock is supplied with three keys as standard. For larger security installations or commercial projects, a master-keyed option is also available. Please contact our team for further information, pricing, and lead times.

Technical Specifications


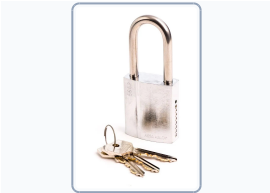

- **Brand:** TrioVing
- **Body Width:** 22mm
- **Padlock Size:** 48mm
- **Padlock Height:** 55.5mm
- **Shackle Thickness:** 8mm

- **Shackle Lengths Available:** 25mm, 50mm, 100mm (please select below)
- **Body Material:** Chrome brass
- **Shackle Material:** Stainless steel
- **Finish:** Polished Chrome
- **Keys Supplied:** 3 keys

Key Features

- **Corrosion-Resistant Construction:** Durable polished chrome brass body paired with a high-strength stainless steel shackle.
- **Versatile Shackle Options:** Available in standard, medium, and long shackle lengths to suit different locking requirements.
- **Generous Key Supply:** Provided with three keys per padlock for convenience.
- **Master Key Compatible:** Custom master-keying options are available on request to suit larger locking suites.

Variant Specifications And Pricing

Image	Part Number	Ex VAT	Inc VAT	Attributes / Specs
	8405220AE04	£102.49	£122.99	Body Width: 22mm Brand: TrioVing Finish: Polished Chrome Number of keys: 3 Supplied Padlock Height: 55.5mm Padlock Size: 48mm Shackle length: 25mm Shackle Thickness: 8mm
	8405221AE04	£110.96	£133.15	Body Width: 22mm Brand: TrioVing Finish: Polished Chrome Number of keys: 3 Supplied Padlock Height: 55.5mm Padlock Size: 48mm Shackle Length: 50mm Shackle Thickness: 8mm
	8405222AE04	£119.66	£143.59	Body Width: 22mm Brand: TrioVing Finish: Polished Chrome Number of keys: 3 Supplied Padlock Height: 55.5mm Padlock Size: 48mm Shackle Length: 100mm Shackle Thickness: 8mm

Brand Profile

TrioVing



TrioVing is a Norwegian lock and door-hardware brand with deep roots in Scandinavia's "make it survive winter and humans" engineering tradition. The modern TrioVing name comes from a series of mergers in Norway's lock industry: **TRIO** was formed in **1904** by the merger of three lock/fittings companies, **VING** formed in **1950**, and the two combined in **1971** to create **TrioVing A/S**, which became Norway's leading lock company.

In **1983**, Finland's **Abloy** entered the Norwegian market by acquiring **TrioVing's Locks and Security** (along with VingCard's hotel security business), pulling TrioVing into the broader Nordic consolidation story that eventually became ASSA ABLOY.

What TrioVing is especially known for today is robust, **Scandinavian-style lockcases and hardware**—including **stainless steel mortice lockcases** that show up in **high-end Scandinavian doors** and **marine applications**, where corrosion resistance isn't a "nice to have," it's the entire point.