

TrioVing 5049 lock case

TrioVing Shop · TrioVing · 2 variants

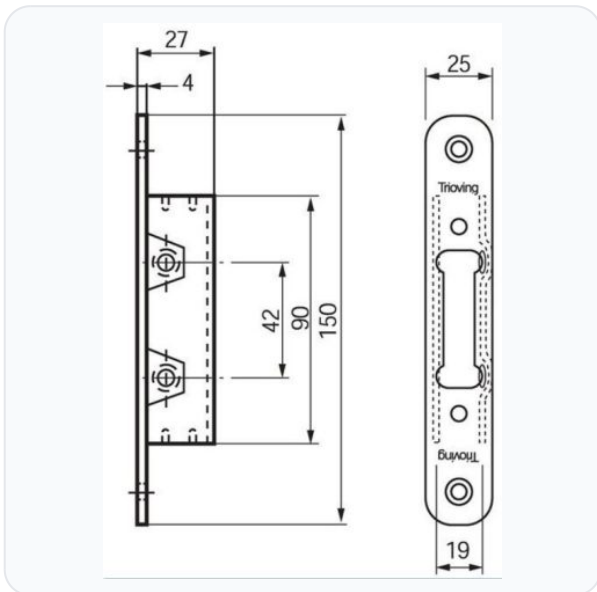
PRICING

From £174.20 ex VAT

£209.04 inc VAT

2 variants available
VAT 20.00%

Product Imagery



Specification Summary

Brand	TrioVing
Product type	TrioVing Shop

Product Description

The TrioVing 5049 is a premium narrow-profile hookbolt lock case designed for secure locking on sliding doors, double doors, and narrow-stile doors made of wood, steel, or aluminium. Its robust hookbolt design makes it an excellent choice for space-constrained installations where reliable security is required.

This lock case is available in two backset options: 25mm and 35mm. Please select your required backset size and manufacturer reference from the options below to ensure a perfect fit for your door.

Please note that this specialist product is ordered directly from Norway, resulting in an approximate lead time of 2 to 3 weeks.



Technical Specifications

- **Brand:** TrioVing
- **Lock Case Height:** 90mm
- **Lock Case Width:** 19mm
- **Backset:** 25mm or 35mm (please choose from the options below)
- **Finish:** Satin Stainless Steel
- **Manufacturer Reference:** 5049/25 or 5049/35 (please choose from the options below)

Key Features

- **Narrow Profile Design:** Specially tailored for narrow-stile doors, including timber, steel, and aluminium frames.
- **Hookbolt Security:** Features a secure hookbolt mechanism, making it ideal for sliding doors and double-leaf doors.
- **Durable Finish:** Supplied in a high-quality satin stainless steel finish for excellent corrosion resistance and longevity.
- **Flexible Sizing:** Available in multiple backset sizes to suit your specific installation requirements.

Variant Specifications And Pricing

Image	Part Number	Ex VAT	Inc VAT	Attributes / Specs
	8400152AX22	£174.20	£209.04	Backset: 25mm Colour: Satin Stainless Lockcase Height: 90mm Lockcase Width: 19mm Manufacturer Ref: 5049/25
	8400154AX22	£174.20	£209.04	Backset: 35mm Colour: Satin Stainless Lockcase Height: 90mm Lockcase Width: 19mm Manufacturer Ref: 5049/35

Brand Profile

TrioVing



TrioVing is a Norwegian lock and door-hardware brand with deep roots in Scandinavia’s “make it survive winter and humans” engineering tradition. The modern TrioVing name comes from a series of mergers in Norway’s lock industry: **TRIO** was formed in **1904** by the merger of three lock/fittings companies, **VING** formed in **1950**, and the two combined in **1971** to create **TrioVing A/S**, which became Norway’s leading lock company.

In **1983**, Finland’s **Abloy** entered the Norwegian market by acquiring **TrioVing’s Locks and Security** (along with VingCard’s hotel security business), pulling TrioVing into the broader Nordic consolidation story that eventually became ASSA ABLOY.

What TrioVing is especially known for today is robust, **Scandinavian-style lockcases and hardware**—including **stainless steel mortice lockcases** that show up in **high-end Scandinavian doors** and **marine applications**, where corrosion resistance isn’t a “nice to have,” it’s the entire point.