

# ILS 1896 Centre Gate Lock

Shutter Locks · ILS · 1 variant

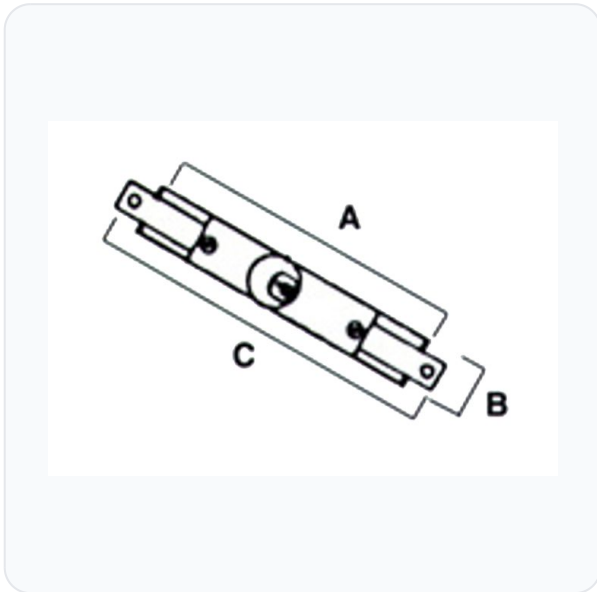
**PRICING**

**From £36.83 ex VAT**

£44.20 inc VAT

1 variant available  
VAT 20.00%

**Product Imagery**



**Specification Summary**

Brand	ILS
Product type	Shutter Locks

**Product Description**

The ILS 1896 Centre Gate Lock is a high-quality, reliable locking solution manufactured by Italian Locking Systems. Designed to suit the most popular styles of gates and roller shutters, this robust centre lock provides dependable security for both commercial and domestic applications.

Constructed with a durable body, the lock features a polished brass cylinder finish that offers a clean, professional appearance. When the lock is operated, the bolt extends to a total length of 184mm, providing a secure 22mm bolt throw to keep your gates or shutters firmly locked in place.

This gate lock is supplied as a complete pack containing one lock and two keys, allowing for immediate installation and use. Its compact dimensions (140mm body length by 25mm body height) make it an ideal replacement or new-fit lock for standard roller shutters and gates.

**Technical Specifications**


- **Brand:** ILS (Italian Locking Systems)
- **Manufacturer Reference:** ILS.1896.K.3
- **Body Length:** 140mm
- **Body Height:** 25mm

- **Extended Length:** 184mm
- **Bolt Throw:** 22mm
- **Cylinder Finish:** Polished Brass
- **Keys Supplied:** 2
- **Pack Quantity:** 1
- **Weight:** 297g

## Key Features

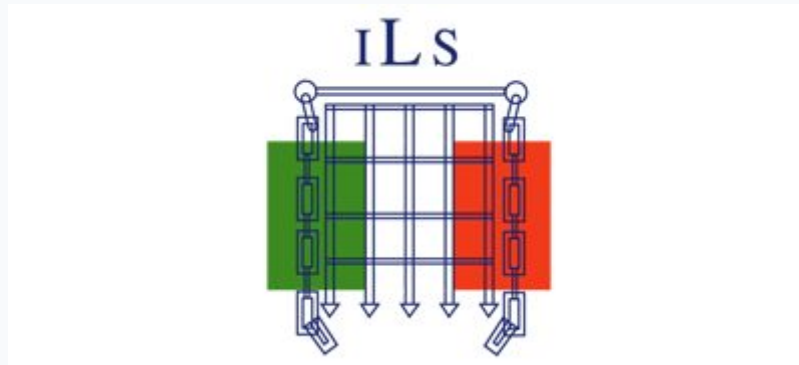
- **Versatile Application:** Designed to suit popular styles of gates and roller shutters.
- **Durable Construction:** Built by Italian Locking Systems for reliable, long-term performance.
- **Secure Bolt Throw:** Features a 22mm bolt throw for robust locking security.
- **Polished Finish:** Features a polished brass cylinder for a clean, professional look.
- **Ready to Install:** Supplied complete with two keys.

### Variant Specifications And Pricing

Image	Part Number	Ex VAT	Inc VAT	Attributes / Specs
	L21804	£36.83	£44.20	<b>Barcode:</b> 5055120736730 <b>Body Height:</b> 25mm <b>Body Length:</b> 140mm <b>Bolt Throw:</b> 22mm <b>Brand:</b> ILS <b>Cylinder Finish:</b> Polished Brass <b>Keys Supplied:</b> 2 <b>Length:</b> 18.4cm <b>Manufacturer Reference:</b> ILS.1896.K.3 <b>Pack Quantity:</b> 1 <b>Weight:</b> 297g

## Brand Profile

ILS



**ILS (Italian Locking Systems)** is a UK trade security brand best known for **heavy-duty locking products** aimed at two very specific, very real-world sectors: the **roller shutter trade** and the **container hire / site security** world. In other words: if it's metal, outdoors, and someone's trying to defeat it with an angle grinder and bad intentions, ILS is probably in the conversation.

ILS **started trading in 1987**, initially selling roller shutter locks, padlocks and shutter components, and later became affiliated members of the **British Blind and Shutter Association (BBSA)**.

### What they're known for

ILS built its name on **roller shutter locking** and the hardware that goes with it:

- **Bullet locks** for roller shutters (common models like the **FDM007-1** round-face style), typically sold with features like **5-pin locking** and key removal only in the locked position.
- **Central shutter locks / espagnolette-style locks** (including "Prefer" variants that accept a **Euro cylinder**, useful when you want to standardise keying).
- Trade channels also position ILS as a major stockist/supplier for **container padlocks, bullet locks, guide locks, ground units**, and related site-security components.