

HOPPE Arrone Suited 310mm Letter Plate With Sprung Sleeve AR708A

Letter Plate · Hoppe · 6 variants

PRICING

From £34.30 ex VAT

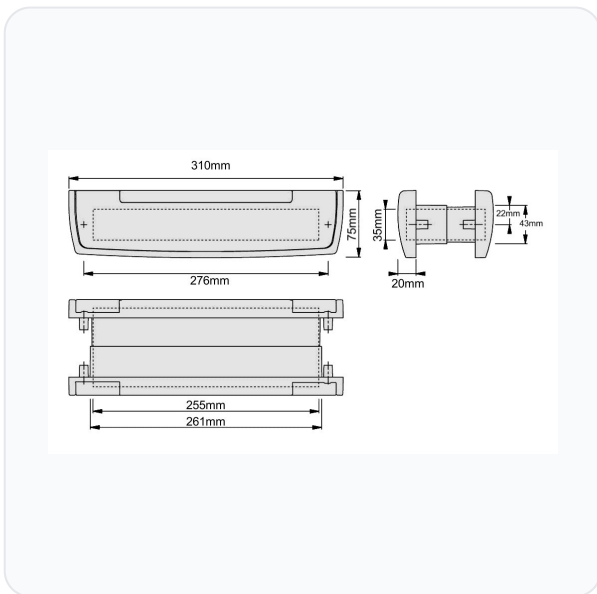
£41.16 inc VAT

6 variants available

VAT 20.00%

Range: £34.30 - £89.01 ex VAT

Product Imagery



Specification Summary

Brand Hoppe

Product type Letter Plate

Product Description

The HOPPE Arrone Suited 310mm Letter Plate (AR708A) is a premium, stylish, and highly durable solution designed to complement modern entrance doors. Part of HOPPE's co-ordinated suited range, this letter plate can be perfectly matched with other door hardware, such as handles and door knockers, to create a unified aesthetic for your home.

Constructed from robust zinc, it features a sprung sleeve and flap that snaps shut after use, helping to reduce draughts and enhance home security. It is designed to suit uPVC, composite, and timber doors with a thickness ranging from 44mm to 70mm.

This letter plate is available in six high-quality finishes, including Anthracite Grey, Black, Polished Brass, Polished Chrome, Satin Chrome, and White, and can be ordered in various boxed quantities. Please choose your preferred finish and quantity from the options below.

Technical Specifications

- **Brand:** HOPPE (Arrone)
- **Model Reference:** AR708A
- **Material:** Zinc
- **Overall Dimensions:** 310mm (W) x 75mm (H)
- **Mailslot Size:** 255mm x 35mm
- **Screw Centres:** 276mm
- **Door Thickness Range:** 44mm to 70mm
- **Fixing Type:** Bolt-through fixings
- **Standards & Testing:** Weather tested to BS 6375-1:2009, PAS 24:2012 (Clause 4.3), Corrosion tested to BS EN 1670 Grade 5 (480 hours), Conforms to BS EN 13724:2002 (50,000 cycles)
- **Guarantee:** 10-year manufacturer's guarantee

Key Features

- **Co-ordinated Styling:** Part of a suited range of door hardware, allowing you to match with colour-coordinated handles and door knockers.
- **Sprung Sleeve & Flap:** Features a sprung flap that snaps shut to minimise draughts and prevent rattling.
- **Multiple Finishes:** Available in six finishes - choose from Anthracite Grey, Black, Polished Brass, Polished Chrome, Satin Chrome, or White below.
- **Excellent Weather Protection:** Extensively weather and corrosion-tested to withstand harsh environmental conditions.
- **Secure Installation:** Supplied with bolt-through fixings for a sturdy and reliable fit.

Variant Specifications And Pricing




Image	Part Number	Ex VAT	Inc VAT	Attributes / Specs
	L33744	£89.01	£106.81	Barcode: 5051358073029 Boxed Quantity: 1 Brand: Hoppe Door Thickness: 44mm to 70mm Finish: Polished Brass Guarantee: 10 Year Height: 75mm Mailslot Size: 255mm x 35mm Manufacturer Reference: 87143393 Material: Zinc Pack Quantity: 1 Screw Centres: 276mm Standards: PAS 24:2012, BS EN 13724 Weight: 700g Width: 31cm
	L33745	£48.13	£57.76	Barcode: 5051358073036 Boxed Quantity: 1 Brand: Hoppe Door Thickness: 44mm to 70mm Finish: Polished Chrome Guarantee: 10 Year Height: 75mm Mailslot Size: 255mm x 35mm Manufacturer Reference: 87143400 Material: Zinc Pack Quantity: 1 Screw Centres: 276mm Standards: PAS 24:2012, BS EN 13724 Weight: 700g Width: 31cm

Image	Part Number	Ex VAT	Inc VAT	Attributes / Specs
	L33746	£42.66	£51.19	Barcode: 5051358073012 Boxed Quantity: 1 Brand: Hoppe Door Thickness: 44mm to 70mm Finish: Black Guarantee: 10 Year Height: 75mm Mailslot Size: 255mm x 35mm Manufacturer Reference: 87143386 Material: Zinc Pack Quantity: 1 Screw Centres: 276mm Standards: PAS 24:2012, BS EN 13724 Weight: 700g Width: 31cm
	L33747	£34.30	£41.16	Barcode: 5051358073005 Boxed Quantity: 1 Brand: Hoppe Door Thickness: 44mm to 70mm Finish: White Guarantee: 10 Year Height: 75mm Mailslot Size: 255mm x 35mm Manufacturer Reference: 87143379 Material: Zinc Pack Quantity: 1 Screw Centres: 276mm Standards: PAS 24:2012, BS EN 13724 Weight: 700g Width: 31cm
	L33748	£85.29	£102.35	Barcode: 5051358019447 Boxed Quantity: 12 Brand: Hoppe Door Thickness: 44mm to 70mm Finish: Satin Chrome Guarantee: 10 Year Height: 75mm Mailslot Size: 255mm x 35mm Manufacturer Reference: 50021989 Material: Zinc Pack Quantity: 1 Screw Centres: 276mm Standards: PAS 24:2012, BS EN 13724 Weight: 700g Width: 31cm

Image	Part Number	Ex VAT	Inc VAT	Attributes / Specs
	L33749	£43.84	£52.61	<p> Barcode: 5051358004887 Boxed Quantity: 12 Brand: Hoppe Door Thickness: 44mm to 70mm Finish: Anthracite Grey Guarantee: 10 Year Height: 75mm Mailslot Size: 255mm x 35mm Manufacturer Reference: 50013956 Material: Zinc Pack Quantity: 1 Screw Centres: 276mm Standards: PAS 24:2012, BS EN 13724 Weight: 700g Width: 31cm </p>

Brand Profile

Hoppe



The company was founded on **5 November 1952** by **Friedrich Hoppe** in **Heiligenhaus near Düsseldorf**, initially as a small building-hardware production business during the post-war construction boom. From there it grew into an international group, expanding manufacturing and sales across Europe and beyond.

Today HOPPE describes itself as an **owner-managed family business** and a **European market leader** in the development, production, and marketing of **door and window handles**. The group operates with **20+ sites on three continents** and **around 2,300 employees**, with the owning family (including **Wolf, Christoph, and Christian Hoppe**) leading the business across the 2nd and 3rd generations.

In product terms, HOPPE is widely used across **residential and commercial** projects for:

- **Door handle sets** (lever handles, roses/backplates, security furniture variants)
- **Window handles** (including lockable models and systems for different window profiles)
- Finishes and specialist surfaces designed for high-use environments

One of their better-known specialist options is **SecuSan®**, an **antimicrobial surface finish** for door and window handles that's designed to **suppress the growth of bacteria, algae, and fungi** and is marketed as maintenance-free for long-term use—particularly relevant for healthcare, education, and other high-touch public settings.