

EVVA AirKey Euro Double Proximity - Key EPS Cylinder

Euro Proximity & Key Cylinder · Evva · 6 variants

PRICING

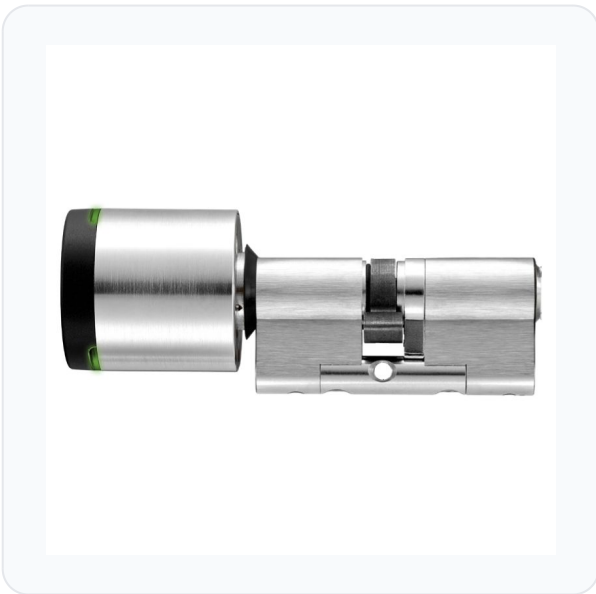
From £641.18 ex VAT

£769.42 inc VAT

6 variants available
VAT 20.00%

Range: £641.18 - £819.96 ex VAT

Product Imagery



Specification Summary

Brand	Evva
Product type	Euro Proximity & Key Cylinder

Product Description

The EVVA AirKey Euro Double Proximity - Key EPS Cylinder is an innovative access control solution designed to replace a standard Euro profile cylinder. It combines the convenience of modern electronic proximity access on one side with the robust security of a mechanical EVVA EPS key cylinder on the other.

The electronic proximity side can be operated using an NFC-compatible smartphone (iOS and Android), Bluetooth, or Evva AirKey cards and fobs. This weather-resistant (IP65) electronic knob is powered by two CR2 batteries, delivering up to 30,000 operations, and features a built-in audit trail that logs the last 1,000 events. On the mechanical side, the high-security EPS cylinder features six spring-loaded locking elements, along with pick and drill protection, making it ideal for structured master key systems.

This cylinder is fire-tested to BS EN 1634-1, CE marked, and Certifire approved. It is available in a variety of finishes, including Nickel Plated, Polished Brass, and Patina Brown (Bronze), and in overall length ranges from 62mm to 92mm and 97mm to 122mm. Please choose your preferred finish, size range, and specification from the options below.

Technical Specifications

- **Cylinder Profile:** Euro
- **Cylinder Type:** Double Euro
- **Mechanism:** Proximity
- **Power Supply:** 2 x CR2 batteries (included)
- **Battery Life:** Up to 30,000 operations
- **IP Rating:** IP65
- **Operating Temperature:** -20°C to 55°C
- **Audit Trail:** Last 1,000 events
- **Standards:** BS EN 1634-1, CE Marked, Certifire
- **Fire Tested:** Grade 0
- **Keys Supplied:** 0
- **Knob Diameter:** 39mm
- **Knob Projection:** 45mm
- **Handing:** Reversible
- **Weight:** 356g

Key Features

- **Dual-Access Design:** Combines electronic proximity access on one side with a high-security mechanical EPS key cylinder on the other.
- **Flexible Smart Access:** Open doors using an NFC-compatible smartphone (Android or iOS), Bluetooth, or Evva AirKey cards and fobs.
- **Robust Mechanical Security:** The EPS cylinder side offers pick and drill protection with 6 spring-loaded locking elements.
- **Weatherproof Protection:** IP65 rated, making the electronic knob suitable for both indoor and outdoor installations.
- **Comprehensive Audit Trail:** Keeps track of the last 1,000 events for enhanced security monitoring.
- **Multiple Options Available:** Choose from Nickel Plated, Polished Brass, or Patina Brown (Bronze) finishes, and length ranges of 62mm - 92mm or 97mm - 122mm from the options below.

Variant Specifications And Pricing

Image	Part Number	Ex VAT	Inc VAT	Attributes / Specs
	L31654	£641.18	£769.42	<p>Audit Trail: Last 1,000 events Barcode: 5056240120393 Battery: 2 x CR2 Battery Life: 30,000 Operations Brand: Evva Cylinder Kitemark: No Cylinder Profile: Euro Cylinder System: Evva AirKey Cylinder Type: Double Euro Finish: Nickel Plated Fire Tested: Grade 0 Handed: Reversible Humidity: Humidity < 90 %, non-condensing IP Rating: IP65 Key Override: No Keyed: Keyed To Differ Keys Supplied: 0 Knob Diameter: 39mm Knob Projection: 45mm Length: 0mm Manufacturer Reference: E.EPS.PZ.DZ-S.NI Mechanism: Proximity Notes: 62mm to 92mm Operating Temperature: -20°C to 55°C Pack Quantity: 1 Secured By Design: No Snap Resistant: No Sold Secure: No Standards: BS EN 1634-1, CE Marked, Certifire Visual Indication: Yes Weight: 356g</p>

Image	Part Number	Ex VAT	Inc VAT	Attributes / Specs
	L31655	£681.77	£818.12	<p> Audit Trail: Last 1,000 events Barcode: 5056240120409 Battery: 2 x CR2 Battery Life: 30,000 Operations Brand: Evva Cylinder Kitemark: No Cylinder Profile: Euro Cylinder System: Evva AirKey Cylinder Type: Double Euro Finish: Nickel Plated Fire Tested: Grade 0 Handed: Reversible Humidity: Humidity < 90 %, non-condensing IP Rating: IP65 Key Override: No Keyed: Keyed To Differ Keys Supplied: 0 Knob Diameter: 39mm Knob Projection: 45mm Length: 0mm Manufacturer Reference: E.EPS.PZ.DZ-S.NI Mechanism: Proximity Notes: 97mm to 122mm Operating Temperature: -20°C to 55°C Pack Quantity: 1 Secured By Design: No Snap Resistant: No Sold Secure: No Standards: BS EN 1634-1, CE Marked, Certifire Visual Indication: Yes Weight: 356g </p>

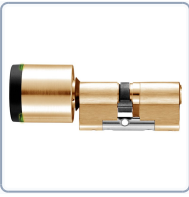
Image	Part Number	Ex VAT	Inc VAT	Attributes / Specs
	L31656	£722.10	£866.52	<p>Audit Trail: Last 1,000 events Barcode: 5056240120416 Battery: 2 x CR2 Battery Life: 30,000 Operations Brand: Evva Cylinder Kitemark: No Cylinder Profile: Euro Cylinder System: Evva AirKey Cylinder Type: Double Euro Finish: Polished Brass Fire Tested: Grade 0 Handed: Reversible Humidity: Humidity < 90 %, non-condensing IP Rating: IP65 Key Override: No Keyed: Keyed To Differ Keys Supplied: 0 Knob Diameter: 39mm Knob Projection: 45mm Length: 0mm Manufacturer Reference: E.EPS.PZ.DZ-S.MP Mechanism: Proximity Notes: 62mm to 92mm Operating Temperature: -20°C to 55°C Pack Quantity: 1 Secured By Design: No Snap Resistant: No Sold Secure: No Standards: BS EN 1634-1, CE Marked, Certifire Visual Indication: Yes Weight: 356g</p>

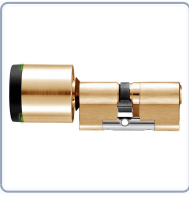
Image	Part Number	Ex VAT	Inc VAT	Attributes / Specs
	L31657	£762.69	£915.23	<p> Audit Trail: Last 1,000 events Barcode: 5056240120423 Battery: 2 x CR2 Battery Life: 30,000 Operations Brand: Evva Cylinder Kitemark: No Cylinder Profile: Euro Cylinder System: Evva AirKey Cylinder Type: Double Euro Finish: Polished Brass Fire Tested: Grade 0 Handed: Reversible Humidity: Humidity < 90 %, non-condensing IP Rating: IP65 Key Override: No Keyed: Keyed To Differ Keys Supplied: 0 Knob Diameter: 39mm Knob Projection: 45mm Length: 0mm Manufacturer Reference: E.EPS.PZ.DZ-S.MP Mechanism: Proximity Notes: 97mm to 122mm Operating Temperature: -20°C to 55°C Pack Quantity: 1 Secured By Design: No Snap Resistant: No Sold Secure: No Standards: BS EN 1634-1, CE Marked, Certifire Visual Indication: Yes Weight: 356g </p>

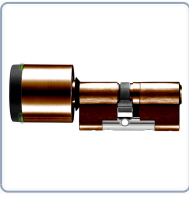
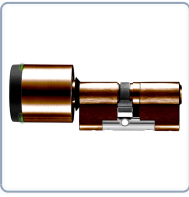
Image	Part Number	Ex VAT	Inc VAT	Attributes / Specs
	L31658	£779.37	£935.24	<p> Audit Trail: Last 1,000 events Barcode: 5056240120430 Battery: 2 x CR2 Battery Life: 30,000 Operations Brand: Evva Cylinder Kitemark: No Cylinder Profile: Euro Cylinder System: Evva AirKey Cylinder Type: Double Euro Finish: Patina Brown (Bronze) Fire Tested: Grade 0 Handed: Reversible Humidity: Humidity < 90 %, non-condensing IP Rating: IP65 Key Override: No Keyed: Keyed To Differ Keys Supplied: 0 Knob Diameter: 39mm Knob Projection: 45mm Length: 0mm Manufacturer Reference: E.EPS.PZ.DZ-S.PB Mechanism: Proximity Notes: 62mm to 92mm Operating Temperature: -20°C to 55°C Pack Quantity: 1 Secured By Design: No Snap Resistant: No Sold Secure: No Standards: BS EN 1634-1, CE Marked, Certifire Visual Indication: Yes Weight: 356g </p>

Image	Part Number	Ex VAT	Inc VAT	Attributes / Specs
	L31659	£819.96	£983.95	<p> Audit Trail: Last 1,000 events Barcode: 5056240120447 Battery: 2 x CR2 Battery Life: 30,000 Operations Brand: Evva Cylinder Kitemark: No Cylinder Profile: Euro Cylinder System: Evva AirKey Cylinder Type: Double Euro Finish: Patina Brown (Bronze) Fire Tested: Grade 0 Handed: Reversible Humidity: Humidity < 90 %, non-condensing IP Rating: IP65 Key Override: No Keyed: Keyed To Differ Keys Supplied: 0 Knob Diameter: 39mm Knob Projection: 45mm Length: 0mm Manufacturer Reference: E.EPS.PZ.DZ-S.PB Mechanism: Proximity Notes: 97mm to 122mm Operating Temperature: -20°C to 55°C Pack Quantity: 1 Secured By Design: No Snap Resistant: No Sold Secure: No Standards: BS EN 1634-1, CE Marked, Certifire Visual Indication: Yes Weight: 356g </p>

Brand Profile

Evva



EVVA is an Austrian, **family-owned** security manufacturer based in **Vienna**, specialising in high-end **mechanical and electronic locking systems** for everything from homes to large, complex master-keyed organisations. The company was **founded in Vienna in 1919**, and it still runs **research, development, and production** from its Vienna headquarters, exporting globally.

In the trade/spec world, EVVA's reputation is built on **serious key control** and **master key system engineering**—locks designed not just to resist attack, but to keep access hierarchies manageable at scale (offices, hospitals, residential complexes, universities, etc.).

A couple of EVVA's standout mechanical platforms get referenced constantly:

- **ICS (Inner Code System)** – a reversible key system aimed at **highly complex master key structures**, with EVVA citing long patent protection (into the 2030s, depending on jurisdiction).
- **MCS (Magnetic Code System)** – EVVA positions this as a top-tier system for sophisticated master keying, with a strong anti-copying story (including resistance to modern replication methods).

They also explicitly brand themselves around innovation: EVVA talks about holding **200+ patents** and frames its history as “start-up energy since 1919” (which is an absolutely deranged sentence for a century-old lock company, but I respect the audacity).