

ERA 334 Fortress Fortress BS BS Euro Keyless Egress Key & Turn Sashlock With Cylinder

Cylinder - Euro · ERA · 3 variants

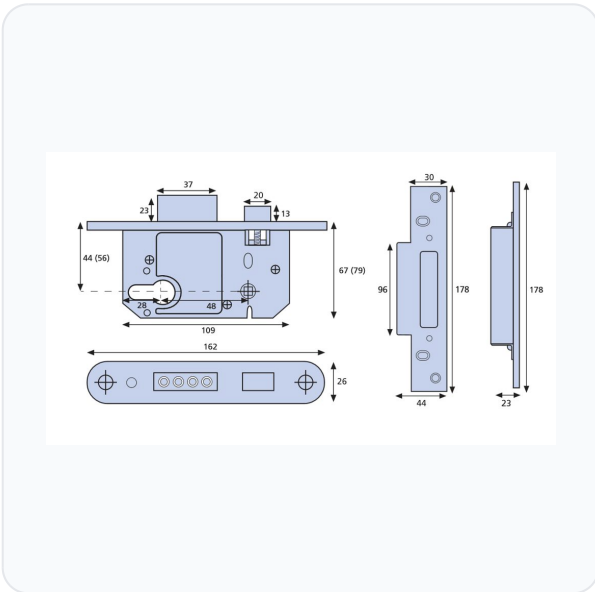
PRICING

From £93.87 ex VAT

£112.64 inc VAT

3 variants available
VAT 20.00%

Product Imagery



Specification Summary

Brand	ERA
Product type	Cylinder - Euro

Product Description

The ERA 334 Fortress BS Euro Keyless Egress Sashlock is a high-security mortice lock designed to provide robust protection and a safe, keyless means of escape. Certified to BS EN 8621, this lock is ideal for residential properties, flats, and communal doors where emergency egress is required without compromising on external security.

Equipped with a 6-pin high-security Euro cylinder and an internal thumbturn, the lock allows occupants to exit quickly in an emergency without needing to locate a key. For physical security, the lock case is protected by hardened steel plates to resist drilling, while the deadbolt features laminated hardened steel plates to prevent hacksawing.

This versatile sashlock is available in a range of finishes, including Polished Brass, Polished Chrome, and Satin Chrome, with matching forend finishes. Depending on the variant selected, the bolt throw is available in either 20mm or 23mm, and product weights range from 1.296kg to 1.38kg. Please select your preferred finish, bolt throw, and manufacturer reference (including 334-31, 334 51, and 334-61) from the options below.

Technical Specifications

- **Brand:** ERA
- **Standards:** BS EN 8621, Secured by Design approved
- **Backset:** 56mm
- **Case Depth:** 76mm
- **Case Height:** 109mm
- **Centres:** 48mm
- **Spindle:** 8mm
- **Forend Length:** 162mm
- **Forend Width:** 26mm
- **Handing:** Reversible
- **Cylinder System:** ERA 6-pin Euro cylinder with thumbturn
- **Keys Supplied:** 3
- **Case Finish:** Red
- **Bolt Throw:** 20mm or 23mm (please select from the options below)
- **Finish:** Polished Brass, Polished Chrome, or Satin Chrome (please select from the options below)
- **Weight:** 1.296kg to 1.38kg (depending on variant selected)
- **Manufacturer Reference:** 334-31, 334 51, or 334-61 (please select from the options below)

Key Features

- **Keyless Egress:** Internal thumbturn allows quick, keyless escape in an emergency, conforming to BS EN 8621 standards.
- **High-Security Cylinder:** Supplied complete with a 6-pin high-security Euro cylinder and 3 keys.
- **Drill Resistant:** Hardened steel plates on the lock case protect against drilling attacks.
- **Hacksaw Resistant:** Laminated hardened steel plates in the deadbolt resist sawing.
- **Reversible Handing:** Easily reversible latch bolt to suit both left and right-handed doors.
- **Secured by Design:** Police preferred specification for enhanced home security.

Variant Specifications And Pricing


Image	Part Number	Ex VAT	Inc VAT	Attributes / Specs
	L16593	£93.87	£112.64	<p> Backset: 56mm Barcode: 5054040367017 Bolt Throw: 20mm Brand: ERA Case Depth: 76mm Case Finish: Red Case Height: 109mm Centres: 48mm Cylinder System: ERA 6 Pin Finish: Polished Brass Forend Finish: Polished Brass Forend Length: 162mm Forend Width: 26mm Handed: Reversible Key Cutting: In-House Keying - MK: Special Order Keys Supplied: 3 Manufacturer Reference: 334-31 Mechanism: Euro Cylinder Notes: Secured by Design Pack Quantity: 1 Packaging: Boxed Spindle: 8mm Standards: BS EN 8621 Weight: 1.38Kg </p>



Image	Part Number	Ex VAT	Inc VAT	Attributes / Specs
	L16594	£93.87	£112.64	<p> Backset: 56mm Barcode: 5054040367178 Bolt Throw: 20mm Brand: ERA Case Depth: 76mm Case Finish: Red Case Height: 109mm Centres: 48mm Cylinder System: ERA 6 Pin Finish: Satin Chrome Forend Finish: Satin Chrome Forend Length: 162mm Forend Width: 26mm Handed: Reversible Key Cutting: In-House Keying - MK: Special Order Keys Supplied: 3 Manufacturer Reference: 334 51 Mechanism: Euro Cylinder Notes: Secured by Design Pack Quantity: 1 Packaging: Boxed Spindle: 8mm Standards: BS EN 8621 Weight: 1.37Kg </p>

Image	Part Number	Ex VAT	Inc VAT	Attributes / Specs
	L25492	£93.87	£112.64	<p> Backset: 56mm Barcode: 5011988045384 Bolt Throw: 23mm Brand: ERA Case Depth: 76mm Case Finish: Red Case Height: 109mm Centres: 48mm Cylinder System: ERA 6 Pin Finish: Polished Chrome Forend Finish: Polished Chrome Forend Length: 162mm Forend Width: 26mm Handed: Reversible Key Cutting: In-House Keying - MK: Special Order Keys Supplied: 3 Manufacturer Reference: 334-61 Mechanism: Euro Cylinder Notes: Secured by Design Pack Quantity: 1 Packaging: Boxed Spindle: 8mm Standards: BS EN 8621 Weight: 1.296Kg </p>

Brand Profile

ERA



ERA (often seen as **ERA Home Security**) is one of the long-standing names in UK locking and hardware, rooted in the **West Midlands** and heavily tied to the **door & window** trade. ERA traces its origins to **1838**, when **John Reynolds** started a locksmith business in **Willenhall**—a town that’s basically the spiritual capital of British lockmaking.

These days ERA positions itself as a “home security expert” that **designs, develops, manufactures, and distributes** a broad range of products for the residential building and home improvement market—spanning **cylinders and door hardware, window hardware, smart/security products**, and associated ironmongery ranges (including brands like **Crompton** under the ERA umbrella).

On the corporate side, ERA was historically part of **Tyman plc** (you’ll see that referenced in older deal/industry material). More recently, ERA states directly that it is **now part of Quanex** (NYSE: NX) following Quanex’s acquisition of Tyman.