

# ERA 1630 & 1650 Non-Deadlocking Nightlatch

Non Deadlocking · ERA · 3 variants

## PRICING

**From £48.28 ex VAT**

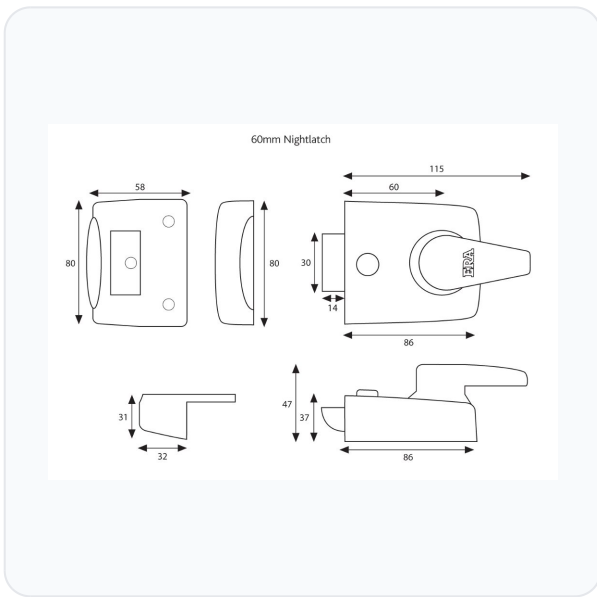
£57.94 inc VAT

3 variants available

VAT 20.00%

Range: £48.28 - £71.40 ex VAT

## Product Imagery



## Specification Summary

Brand	ERA
Product type	Non Deadlocking

## Product Description

The ERA 1630 & 1650 Non-Deadlocking Nightlatches are highly versatile replacement front door locks designed with user-friendliness in mind. Featuring an easy-grip handle, these nightlatches are particularly well-suited for elderly users or anyone seeking a more accessible lock operation.

A standout feature of this range is the external cylinder, which provides the flexibility of either a deadlocking or non-deadlocking setup. To prevent accidental lockouts, the bolt hold-back snib is located directly on the lock body rather than the handle. Additionally, the modern lock body is designed with a larger footprint, allowing it to cover existing marks or screw holes from previous installations and reducing the need for door redecoration.

These nightlatches are supplied as a complete set, including a 5-pin rim cylinder, three keys, and all necessary fixings. They are available in a selection of case finishes, cylinder finishes, weights, and barcodes. Please choose your preferred options from the selection below.

## Technical Specifications




- **Backset:** 60mm
- **Cylinder System:** ERA 5-pin rim cylinder

- **Keying:** Keyed to differ (master keying available as special order)
- **Case Finish:** Polished Brass or Satin Grey (please choose from the options below)
- **Cylinder Finish:** Polished Brass or Satin Chrome (please choose from the options below)
- **Manufacturer Reference:** 1630 31, 1630 51, or 1650 51 (please choose from the options below)
- **Weight:** 900g to 920g (please choose from the options below)
- **Barcode:** Multiple options available (please choose from the options below)
- **Keys Supplied:** 3 keys

## Key Features

- **Dual-Purpose Cylinder:** External cylinder offers the option of a deadlocking or non-deadlocking setup
- **Elderly-Friendly Design:** Features an easy-grip handle ideal for users with limited dexterity
- **Accidental Lockout Prevention:** Bolt hold-back facility is located on the lock body rather than the handle
- **Larger Footprint:** Designed to cover existing marks and holes from previous locks, minimising the need for redecoration
- **Complete Kit:** Supplied with the nightlatch body, 5-pin cylinder, 3 keys, and all required fixings

## Variant Specifications And Pricing

Image	Part Number	Ex VAT	Inc VAT	Attributes / Specs
	L14710	£71.40	£85.68	<b>Backset:</b> 60mm <b>Barcode:</b> 5011988001519 <b>Brand:</b> ERA <b>Case Finish:</b> Polished Brass <b>Cylinder Finish:</b> Polished Brass <b>Cylinder System:</b> ERA 5 Pin <b>Keyed:</b> Keyed To Differ <b>Keying - MK:</b> Special Order <b>Manufacturer Reference:</b> 1630 31 <b>Pack Quantity:</b> 1 <b>Packaging:</b> Boxed <b>Weight:</b> 910g
	L14711	£48.28	£57.94	<b>Backset:</b> 60mm <b>Barcode:</b> 5011988001540 <b>Brand:</b> ERA <b>Case Finish:</b> Satin Grey <b>Cylinder Finish:</b> Polished Brass <b>Cylinder System:</b> ERA 5 Pin <b>Keyed:</b> Keyed To Differ <b>Keying - MK:</b> Special Order <b>Manufacturer Reference:</b> 1630 51 <b>Pack Quantity:</b> 1 <b>Packaging:</b> Boxed <b>Weight:</b> 900g
	L14712	£48.28	£57.94	<b>Backset:</b> 60mm <b>Barcode:</b> 5011988001588 <b>Brand:</b> ERA <b>Case Finish:</b> Satin Grey <b>Cylinder Finish:</b> Satin Chrome <b>Cylinder System:</b> ERA 5 Pin <b>Keyed:</b> Keyed To Differ <b>Keying - MK:</b> Special Order <b>Manufacturer Reference:</b> 1650 51 <b>Pack Quantity:</b> 1 <b>Packaging:</b> Boxed <b>Weight:</b> 920g

## Brand Profile

ERA



**ERA** (often seen as **ERA Home Security**) is one of the long-standing names in UK locking and hardware, rooted in the **West Midlands** and heavily tied to the **door & window** trade. ERA traces its origins to **1838**, when **John Reynolds** started a locksmith business in **Willenhall**—a town that’s basically the spiritual capital of British lockmaking.

These days ERA positions itself as a “home security expert” that **designs, develops, manufactures, and distributes** a broad range of products for the residential building and home improvement market—spanning **cylinders and door hardware, window hardware, smart/security products**, and associated ironmongery ranges (including brands like **Crompton** under the ERA umbrella).

On the corporate side, ERA was historically part of **Tyman plc** (you’ll see that referenced in older deal/industry material). More recently, ERA states directly that it is **now part of Quanex** (NYSE: NX) following Quanex’s acquisition of Tyman.