

ERA 1430 & 1450 Non-Deadlocking Nightlatch

Non Deadlocking · ERA · 3 variants

PRICING

From £48.28 ex VAT

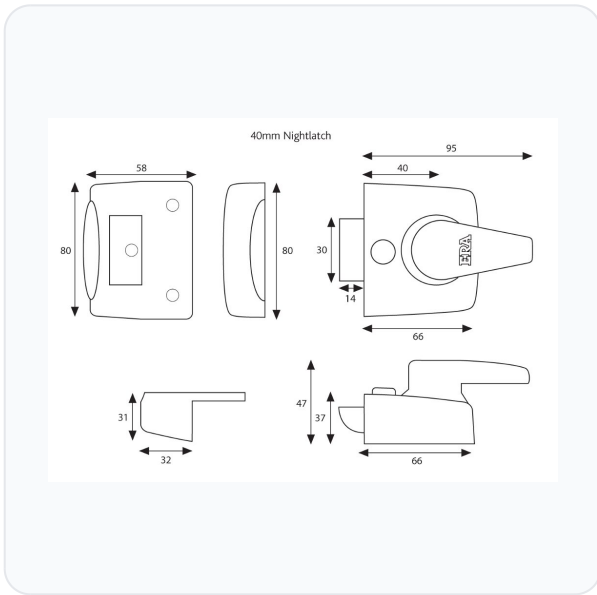
£57.94 inc VAT

3 variants available

VAT 20.00%

Range: £48.28 - £71.38 ex VAT

Product Imagery



Specification Summary

Brand	ERA
Product type	Non Deadlocking

Product Description

The ERA 1430 & 1450 Non-Deadlocking Nightlatches are ideal replacement front door locks designed with a larger footprint to easily hide existing marks on your door. Specifically suited for narrow stiles with a 40mm backset, these locks feature an easy-grip handle that is highly recommended for elderly users or those with limited dexterity.

These nightlatches offer the flexibility of either a deadlocking or non-deadlocking facility on the external cylinder. Accidental lockouts are prevented thanks to a convenient bolt hold-back snib located on the lock body rather than the handle.

Available in multiple case finishes, cylinder finishes, and manufacturer references, these locks also vary in weight. Please choose your preferred options from the selection below to find the perfect match for your door. Each set is supplied boxed with a 5-pin cylinder, three keys, and all necessary fixings.

Technical Specifications




- **Backset:** 40mm
- **Cylinder System:** ERA 5 Pin
- **Keying:** Keyed to differ (Master Keying available as special order)

- **Pack Quantity:** 1
- **Packaging:** Boxed
- **Case Finish:** Polished Brass or Satin Grey (please choose from the options below)
- **Cylinder Finish:** Polished Brass or Satin Chrome (please choose from the options below)
- **Manufacturer Reference:** 1430 31, 1430 51, or 1450 51 (please choose from the options below)
- **Weight:** 810g or 920g (please choose from the options below)
- **Barcode:** Multiple options available (please choose from the options below)

Key Features

- **Easy-Grip Handle:** Ergonomically designed handle, making it ideal for elderly users or those with limited dexterity.
- **Larger Footprint:** Newly designed lock body covers existing marks on the door, making it an ideal replacement lock.
- **Dual Cylinder Facility:** Offers the option of a deadlocking or non-deadlocking facility on the external cylinder.
- **Bolt Hold-Back:** Features a snib on the lock body to hold the bolt back, preventing accidental lockouts.
- **Complete Kit:** Supplied boxed with a 5-pin rim cylinder, 3 keys, and all necessary fixings.

Variant Specifications And Pricing

Image	Part Number	Ex VAT	Inc VAT	Attributes / Specs
	L14707	£71.38	£85.66	Backset: 40mm Barcode: 5011988001397 Brand: ERA Case Finish: Polished Brass Cylinder Finish: Polished Brass Cylinder System: ERA 5 Pin Keyed: Keyed To Differ Keying - MK: Special Order Manufacturer Reference: 1430 31 Pack Quantity: 1 Packaging: Boxed Weight: 810g
	L14708	£48.28	£57.94	Backset: 40mm Barcode: 5011988001427 Brand: ERA Case Finish: Satin Grey Cylinder Finish: Polished Brass Cylinder System: ERA 5 Pin Keyed: Keyed To Differ Keying - MK: Special Order Manufacturer Reference: 1430 51 Pack Quantity: 1 Packaging: Boxed Weight: 920g
	L14709	£48.28	£57.94	Backset: 40mm Barcode: 5011988001458 Brand: ERA Case Finish: Satin Grey Cylinder Finish: Satin Chrome Cylinder System: ERA 5 Pin Keyed: Keyed To Differ Keying - MK: Special Order Manufacturer Reference: 1450 51 Pack Quantity: 1 Packaging: Boxed Weight: 810g

Brand Profile

ERA



ERA (often seen as **ERA Home Security**) is one of the long-standing names in UK locking and hardware, rooted in the **West Midlands** and heavily tied to the **door & window** trade. ERA traces its origins to **1838**, when **John Reynolds** started a locksmith business in **Willenhall**—a town that’s basically the spiritual capital of British lockmaking.

These days ERA positions itself as a “home security expert” that **designs, develops, manufactures, and distributes** a broad range of products for the residential building and home improvement market—spanning **cylinders and door hardware, window hardware, smart/security products**, and associated ironmongery ranges (including brands like **Crompton** under the ERA umbrella).

On the corporate side, ERA was historically part of **Tyman plc** (you’ll see that referenced in older deal/industry material). More recently, ERA states directly that it is **now part of Quanex** (NYSE: NX) following Quanex’s acquisition of Tyman.