

# DEVENTER Fire Retardant Self Adhesive Draught Strip S 5867 K (BS) For Renovation

Strips & Seals · Deventer · 1 variant

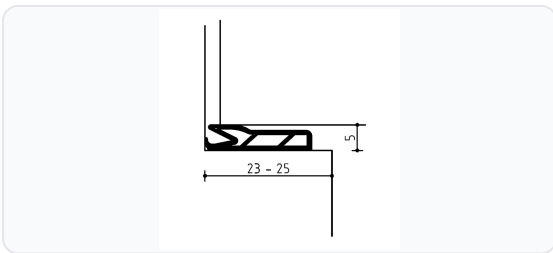
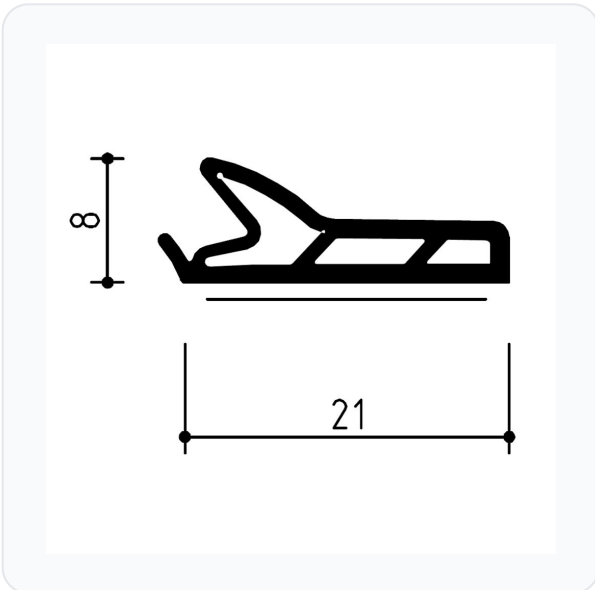
**PRICING**

**From £4.32 ex VAT**

£5.18 inc VAT

1 variant available  
VAT 20.00%

**Product Imagery**



**Specification Summary**

Brand Deventer

Product type Strips & Seals

**Product Description**

The DEVENTER S 5867 K (BS) is a high-quality, self-adhesive, fire-retardant draught strip designed specifically for renovation projects. It is an ideal replacement weatherproof seal for UPVC and composite doors, helping to prevent draughts and reduce heat loss.

Manufactured from high-grade Thermoplastic Elastomer (TPE), this seal is engineered for smoke and fire-resistant constructions. It has been tested to standard EN 13501-1:2007, meeting Class E bandwidth requirements, and features a burning speed of 0mm/min, meaning it does not contribute to fire propagation. Additionally, it complies

with the smoke density requirements of BS EN 1634-3.

Designed for a 25mm fire rebate, the self-adhesive backing ensures quick and easy installation, providing optimal adhesion to clean, dry surfaces. This makes it a reliable and durable solution for upgrading or restoring the weatherproofing and fire safety of existing doors.

## Technical Specifications

- **Brand:** Deventer
- **Manufacturer Reference:** 818088 (S 5867 K BS)
- **Material:** Thermoplastic Elastomer (TPE)
- **Finish:** Black
- **Length:** 1m
- **Fire Rebate:** 25mm
- **Standards:** EN 13501-1:2007 (Class E), BS EN 1634-3
- **Fire Tested:** Yes
- **Pack Quantity:** 1

## Key Features

- **Fire Retardant:** Features a burning speed of 0mm/min and does not contribute to fire propagation.
- **Draught & Weatherproof Seal:** Ideal replacement seal for UPVC and composite doors to prevent draughts and heat loss.
- **Self-Adhesive Backing:** Quick and easy to install with optimal adhesion to clean, dry surfaces.
- **Renovation Friendly:** Specifically designed for renovation projects with a 25mm fire rebate.
- **Smoke Protection:** Meets the smoke density requirements of BS EN 1634-3.

### Variant Specifications And Pricing

Image	Part Number	Ex VAT	Inc VAT	Attributes / Specs
	L34727	£4.32	£5.18	<p><b>Barcode:</b> 5056240142654</p> <p><b>Boxed Quantity:</b> 640</p> <p><b>Brand:</b> Deventer</p> <p><b>Finish:</b> Black</p> <p><b>Fire Tested:</b> Yes</p> <p><b>Length:</b> 1m</p> <p><b>Manufacturer Reference:</b> 818088</p> <p><b>Material:</b> Thermoplastic Elastomer (TPE)</p> <p><b>Pack Quantity:</b> 1</p> <p><b>Packaging:</b> Loose</p> <p><b>Standards:</b> BS EN 1634-3</p> <p><b>Weight:</b> 60g</p>

## Brand Profile

Deventer

No brand description provided.