

CODELOCKS CL510 Series Digital Lock With Tubular Latch

CL500 Series · Codelocks · 2 variants

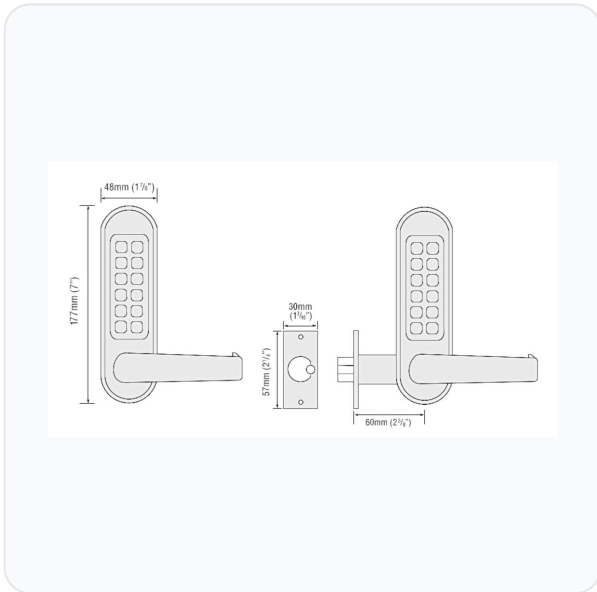
PRICING

From £186.74 ex VAT

£224.09 inc VAT

2 variants available
VAT 20.00%

Product Imagery



Specification Summary

Brand	Codelocks
Product type	CL500 Series

Product Description

The Codelocks CL510 Series is a heavy-duty mechanical digital lock designed for high-traffic internal and external doors. Equipped with a robust tubular mortice latch, this lock provides reliable security and ease of use. The outside lever handle retracts the latch once a correct code is entered, and the spring-loaded latchbolt locks automatically when the door is closed, while the inside lever handle provides free exit at all times.

This series is available in two models to suit your requirements. The CL510 model offers standard coded entry, while the CL515 model features a passage set (code-free entry) option, allowing free passage without a code when required. Please select your preferred model, passage set option, and barcode from the choices below.

To achieve a fire rating, these digital locks must be fitted with an appropriate intumescent pack (available separately). Additionally, the optional "Clean by Codelocks" photocatalytic finish is available to special order to help reduce bacterial growth.

Please note: If you are ordering a front/back plate set to use with an existing lock case, please ensure your current lock case is tested for compatibility before purchasing.

Technical Specifications

- **Brand:** Codelocks
- **Manufacturer Reference:** 510 or 515 (please choose from the options below)
- **Passage Set:** Yes or No (please choose from the options below)
- **Barcode:** 5031913000837 or 5031913000844 (please choose from the options below)
- **Backset:** 60mm
- **Case Depth Required:** 85mm
- **Door Thickness:** 35mm to 65mm
- **Finish:** Stainless Steel
- **Buttons:** 12
- **Code Length:** 4 to 6 digits
- **Combinations:** 8,000+
- **Handing:** Reversible (non-handed)
- **Spindle:** 8mm square spindle
- **Width:** 48mm
- **Weight:** 2.14kg

Key Features

- **Heavy-Duty Construction:** Suitable for high-traffic internal and external door applications.
- **Automatic Locking:** Spring-loaded latchbolt locks automatically upon door closure.
- **Free Exit:** Inside lever handle allows quick and easy egress.
- **Weather Resistant:** Durable PVD finish designed to withstand the elements.
- **Optional Passage Mode:** CL515 model features a code-free entry option for unrestricted access.
- **Fire Rated Potential:** Can be fire rated when fitted with the appropriate intumescent pack (sold separately).

Variant Specifications And Pricing



Image	Part Number	Ex VAT	Inc VAT	Attributes / Specs
	L13907	£186.74	£224.09	<p>Backset: 60mm Barcode: 5031913000837 Brand: Codelocks Buttons: 12 Case Depth Required: 85mm Code Length: 4 To 6 Digits Codes: 1 Combination: 8,000+ Door Thickness: 35mm to 65mm Finish: Stainless Steel Fire Tested: No Guarantee: Limited Lifetime Handed: Reversible Holdback: No Key Override: No Latch: 60mm Standard Manufacturer Reference: 510 Notes: To achieve the fire rating these digital locks must be fitted with the appropriate intumescent pack, please see associated products Operation Inside: Lever Handle Free Exit Operation Outside: Lever Handle On Entry Of Code Pack Quantity: 1 Packaging: Boxed Passage Set: No Weather Resistant: Yes Weight: 2.14Kg Width: 48mm</p>

Image	Part Number	Ex VAT	Inc VAT	Attributes / Specs
	L13908	£186.74	£224.09	<p> Backset: 60mm Barcode: 5031913000844 Brand: Codelocks Buttons: 12 Case Depth Required: 85mm Code Length: 4 To 6 Digits Codes: 1 Combination: 8,000+ Door Thickness: 35mm to 65mm Finish: Stainless Steel Fire Tested: No Guarantee: Limited Lifetime Handed: Reversible Holdback: No Key Override: No Latch: 60mm Standard Manufacturer Reference: 515 Notes: To achieve the fire rating these digital locks must be fitted with the appropriate intumescent pack, please see associated products Operation Inside: Lever Handle Free Exit Operation Outside: Lever Handle On Entry Of Code Pack Quantity: 1 Packaging: Boxed Passage Set: Yes Weather Resistant: Yes Weight: 2.14Kg Width: 48mm </p>

Brand Profile

Codelocks



Codelocks is a UK-headquartered access-control brand specialising in **keyless push-button locks** for **doors, lockers, cabinets and furniture**—the kind of hardware that’s built to remove keys from the equation without dragging you into a full-blown wired access-control install. The company was **founded in 1991** and is based in **Newbury, Berkshire**, with a global footprint and multiple regional operations.

Their product family spans:

- **Mechanical digital locks** (purely mechanical keypad locks: no batteries, no wiring)
- **Electronic digital locks** (standalone battery-powered locks aimed at higher functionality and audit/control features)
- **Locker locks** under the **KitLock by Codelocks** name, targeting leisure, workplaces, education, and self-storage style installs

A signature differentiator is **NetCode®**: Codelocks’ system for generating **time-sensitive access codes** (think “this code works from 2pm–6pm on Tuesday” rather than “this code works until the heat death of the universe”). NetCodes can be issued through the **Codelocks Connect portal** or related tools, making it popular for short-term access in things like **self-storage, rentals, shared facilities, and managed workplaces**.

On the “serious door” end, their **CL5000** line is positioned as **heavy-duty electronic locks for high-traffic applications** and is marketed with **ANSI Grade 2** testing references - very much the “commercial door that gets slammed 400 times a day” vibe.