

ASEC MK Nut Fix Camlock 180°

Nut Fix · Asec · 1 variant

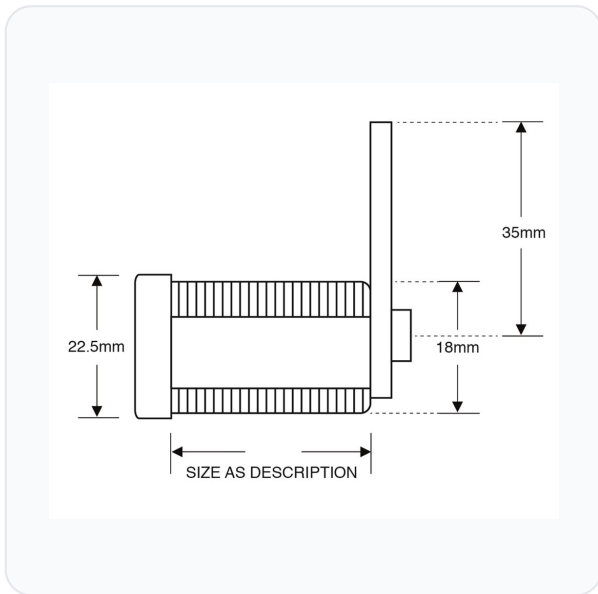
PRICING

From £9.13 ex VAT

£10.96 inc VAT

1 variant available
VAT 20.00%

Product Imagery



Specification Summary

Brand Asec

Product type Nut Fix

Product Description

The Asec MK Nut Fix Camlock is a highly reliable and secure locking solution designed for both metal and timber applications, making it ideal for lockers, cupboards, and cabinets. This 20mm camlock features a robust nut fixing mechanism, ensuring a sturdy and straightforward installation.

Operating with a smooth 180° clockwise movement, the lock is equipped with a 35mm straight cam bar. It is supplied keyed to differ with up to 2,000 potential differs, and is master keyed under the AS6618 master key system. This makes it an excellent choice for commercial or educational environments where individual security is needed alongside master key access.

Constructed with a conical head shape and finished in high-quality chrome plating, this camlock offers both durability and a clean, professional appearance. Each lock is supplied complete with two keys.

Technical Specifications

- **Brand:** Asec
- **Manufacturer Reference:** AS6613
- **Body Length:** 20mm (measured from rose to cam)
- **Body Height:** 19mm

- **Body Width:** 16mm
- **Cam Height:** 35mm
- **Finish:** Chrome Plated
- **Fixing:** Nut
- **Head Shape:** Conical
- **Movement:** 180° Clockwise
- **Keying:** Keyed to differ under AS6618 master key
- **Differs:** 2,000
- **Keys Supplied:** 2

Key Features

- **Versatile Application:** Ideal for securing lockers, cupboards, and cabinets in both timber and metal.
- **Master Key Compatible:** Keyed to differ under the AS6618 master key system for convenient administrative override.
- **Secure Operation:** Features a 180° clockwise rotation to lock and unlock.
- **Complete Package:** Supplied with a 35mm straight cam bar and two keys.
- **Durable Construction:** Strong nut-fix design with a polished chrome plated finish for long-lasting performance.

Variant Specifications And Pricing

Image	Part Number	Ex VAT	Inc VAT	Attributes / Specs
	AS6613	£9.13	£10.96	<p> Barcode: 5055120661636 Body Height: 19mm Body Length: 20mm Body Width: 16mm Brand: Asec Cam Height: 35mm Differs: 2,000 Finish: Chrome Plated Fixing: Nut Head Shape: Conical Keyed: Master Keyed Keying - MK: Special Order Keys Supplied: 2 Manufacturer Reference: AS6613 Movement: 180° Clockwise Packaging: Visi Weight: 146g </p>

Brand Profile

Asec



ASEC is a **trade-focused security hardware brand** built around the “everyday kit” locksmiths and installers reach for, with a big emphasis on **breadth, availability, and value** rather than boutique-only spec pieces. The brand was **established in 2003** and was created specifically to **support independent retailers and security professionals** with products that *“would never become available through the large multiple retailers.”*

Where ASEC gets especially interesting (and why it tends to become a “default stock brand”) is the **scale of the range**:

- ASEC positions itself as having a portfolio of **2,000+ individual products**, described as one of the **largest ranges under a single security brand name** in the industry.
- Coverage is intentionally broad across the core trade categories: **Access Control, Architectural Hardware, Key Cutting, Locking Products, UPVC, Tools & Accessories.**

ASEC is **exclusive to Aldridge Security** (whom we distribute) in the UK trade ecosystem (Aldridge explicitly calls itself the **exclusive distributor of ASEC Security Products worldwide**). That exclusivity is a big part of the brand's identity: it keeps the range aimed at the trade channel rather than getting diluted into mass retail.