

ASEC 38mm 1 Gang Surface Housing

Accessory · Asec · 4 variants

PRICING

From £20.09 ex VAT

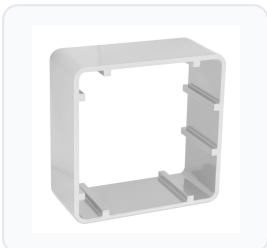
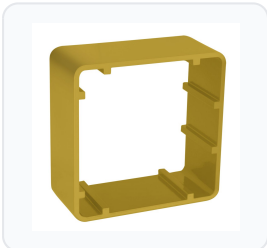
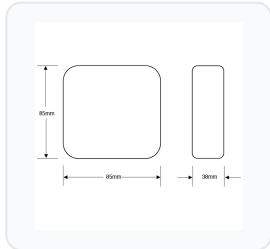
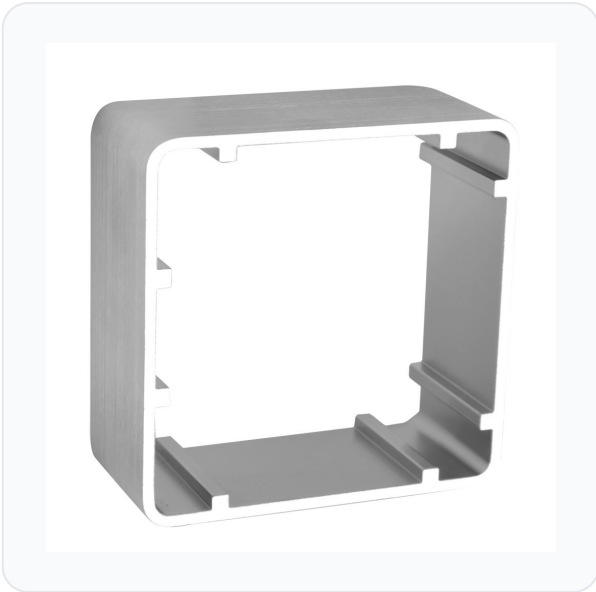
£24.11 inc VAT

4 variants available

VAT 20.00%

Range: £20.09 - £86.13 ex VAT

Product Imagery



Specification Summary

Brand Asec

Product type Accessory

Product Description

The Asec 38mm 1 Gang Surface Housing is a robust steel back box designed to convert flush-fitting Asec access control products, such as exit buttons, into surface-mounted installations. This 38mm deep housing provides a practical and secure solution when flush mounting is not possible or preferred.

Constructed from powder-coated steel, this housing is built for durability and longevity in busy entry points. It is available in a variety of finishes, weights, and manufacturer references. Please choose your preferred finish, weight, manufacturer reference, and barcode from the options below.

Technical Specifications

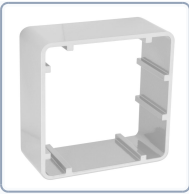
- **Brand:** Asec
- **Fitting Type:** Surface mount
- **Depth:** 38mm
- **Width:** 85mm
- **Material:** Steel (Powder Coated)
- **Finish:** Available in Green, Polished Brass, Stainless Steel, or White (please choose from the options below)
- **Manufacturer Reference:** Available as AS8002, AS8003, AS9864, or AS9865 (please choose from the options below)
- **Barcode:** Multiple options available (please choose from the options below)
- **Weight:** Ranges from 110g to 950g (please choose from the options below)
- **Pack Quantity:** 1
- **Packaging:** Boxed

Key Features

- **Surface Mount Conversion:** Converts flush-fit Asec access control accessories to surface-mounted units.
- **Durable Construction:** Made from powder-coated steel for enhanced strength and wear resistance.
- **Multiple Finishes Available:** Choose from Green, Polished Brass, Stainless Steel, or White to suit your installation environment.
- **Standard 1-Gang Size:** Designed to fit standard 1-gang access control plates.

Variant Specifications And Pricing

Image	Part Number	Ex VAT	Inc VAT	Attributes / Specs
	AS8002	£20.24	£24.29	Barcode: 5055120622002 Brand: Asec Depth: 38mm Finish: Stainless Steel Fitting: Surface Manufacturer Reference: AS8002 Material: Steel (Powder Coated) Pack Quantity: 1 Packaging: Boxed Weight: 110g Width: 85mm
	AS8003	£20.09	£24.11	Barcode: 5055120621982 Brand: Asec Depth: 38mm Finish: Green Fitting: Surface Manufacturer Reference: AS8003 Material: Steel (Powder Coated) Pack Quantity: 1 Packaging: Boxed Weight: 120g Width: 85mm
	AS9864	£86.13	£103.36	Barcode: 5055120683973 Brand: Asec Depth: 38mm Finish: Polished Brass Fitting: Surface Manufacturer Reference: AS9864 Material: Steel (Powder Coated) Pack Quantity: 1 Packaging: Boxed Weight: 950g Width: 85mm

Image	Part Number	Ex VAT	Inc VAT	Attributes / Specs
	AS9865	£25.22	£30.26	<p>Barcode: 5055120684161 Brand: Asec Depth: 38mm Finish: White Fitting: Surface Manufacturer Reference: AS9865 Material: Steel (Powder Coated) Pack Quantity: 1 Packaging: Boxed Weight: 175g Width: 85mm</p>

Brand Profile

Asec



ASEC is a **trade-focused security hardware brand** built around the “everyday kit” locksmiths and installers reach for, with a big emphasis on **breadth, availability, and value** rather than boutique-only spec pieces. The brand was **established in 2003** and was created specifically to **support independent retailers and security professionals** with products that *“would never become available through the large multiple retailers.”*

Where ASEC gets especially interesting (and why it tends to become a “default stock brand”) is the **scale of the range**:

- ASEC positions itself as having a portfolio of **2,000+ individual products**, described as one of the **largest ranges under a single security brand name** in the industry.
- Coverage is intentionally broad across the core trade categories: **Access Control, Architectural Hardware, Key Cutting, Locking Products, UPVC, Tools & Accessories.**

ASEC is **exclusive to Aldridge Security** (whom we distribute) in the UK trade ecosystem (Aldridge explicitly calls itself the **exclusive distributor of ASEC Security Products worldwide**). That exclusivity is a big part of the brand's identity: it keeps the range aimed at the trade channel rather than getting diluted into mass retail.