

ALPRO PB86 Infra Red Exit Button

Illuminated · Alpro · 1 variant

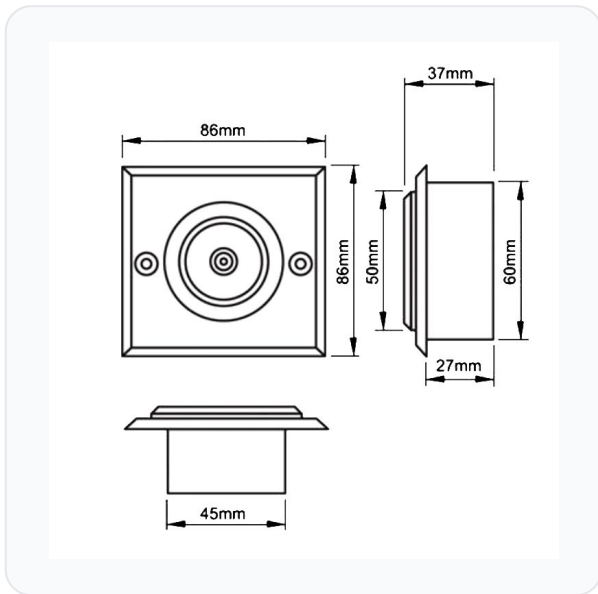
PRICING

From £114.29 ex VAT

£137.15 inc VAT

1 variant available
VAT 20.00%

Product Imagery



Specification Summary

Brand	Alpro
Product type	Illuminated

Product Description

The Alpro PB86 Infrared Exit Button is a contactless proximity switch designed to provide a highly hygienic and sterile door release solution. By allowing users to activate the switch with a simple swipe of the hand, it completely eliminates the need for physical contact. This touchless operation is particularly beneficial in environments where infection control is paramount, such as hospitals, laboratories, and communal public buildings.

Engineered for seamless integration, the PB86 is fully compatible with Alpro’s comprehensive range of access control products. It features an adjustable proximity detection distance of 150mm to 270mm, alongside an adjustable relay trigger time ranging from 1 to 9 seconds, allowing you to tailor its operation to your specific environment. The unit also includes dual-colour LED illumination, changing from blue (standby) to green (active) to provide clear, immediate visual feedback to users. Designed for indoor flush-mount installations, this durable aluminium exit button offers a reliable, modern, and clean access control solution.

Technical Specifications


- **Brand:** Alpro
- **Manufacturer Reference:** ALPPB86
- **Input Voltage:** 12V DC

- **Outputs:** N/O & N/C
- **Operation:** Momentary
- **Fitting:** Flush
- **Finish:** Aluminium
- **Depth:** 38mm
- **Weight:** 140g
- **Operating Temperature:** -20°C to 55°C
- **Proximity Distance:** 150mm - 270mm (adjustable)
- **Relay Trigger:** 1 to 9 seconds (adjustable)
- **Guarantee:** 3 Years

Key Features

- **Contactless Activation:** Operates with a simple hand swipe, ensuring sterile, hygienic, and touch-free operation.
- **Adjustable Proximity Range:** Detection distance can be set between 150mm and 270mm to prevent accidental triggers.
- **Adjustable Relay Timer:** Trigger duration can be configured from 1 to 9 seconds.
- **LED Status Illumination:** Dual-colour LED indicator provides clear visual feedback (Blue for standby, Green for active).
- **Alpro Compatibility:** Designed to work in conjunction with the full range of Alpro access control systems.
- **Indoor Flush Fitting:** Sleek aluminium finish designed for indoor flush-mount installations.

Variant Specifications And Pricing

Image	Part Number	Ex VAT	Inc VAT	Attributes / Specs
	L18106	£114.29	£137.15	<p>Barcode: 5055120699165</p> <p>Brand: Alpro</p> <p>Depth: 38mm</p> <p>Finish: Aluminium</p> <p>Fitting: Flush</p> <p>Guarantee: 3 Year</p> <p>Illumination: Yes</p> <p>Input Voltage: 12V DC</p> <p>Manufacturer Reference: ALPPB86</p> <p>Operating Temperature: -20°C to 55°C</p> <p>Operation: Momentary</p> <p>Outputs: N/O & N/C</p> <p>Weight: 140g</p>

Brand Profile

Alpro



Alpro (Alpro Architectural Hardware) is a UK supplier of **architectural door hardware and access-control components**, focused heavily on the **commercial aluminium door (OEM) market** and the wider **access control** environment. It operates as a **division of IEC Limited**, an **independent, family-owned** company founded in **1938** to supply quality mechanical components.

Alpro's catalogue spans both **mechanical** and **electro-mechanical** products: contemporary **pull handles, lever/paddle handles, deadlocks/deadlatches, cylinders, transom door closers**, and hardware like **flushbolts** and **armoured strikes**, alongside access-control staples such as **electric strikes, deadlocking/solenoid bolts, shearlocks, cabinet locks, and IP-rated keypads and exit switches**.

The company also highlights **BS EN ISO 9001:2015 approval**, technical support, CAD/design capability, and a stock-led operation aimed at quick dispatch - positioning Alpro as a practical "solve the door problem" brand for installers and fabricators rather than a consumer retail name.